

Synchronous Built-in Servo Motor achieving
Large Torque and Smooth Rotation

FANUC

SYNCHRONOUS BUILT-IN SERVO MOTOR α IS-B series



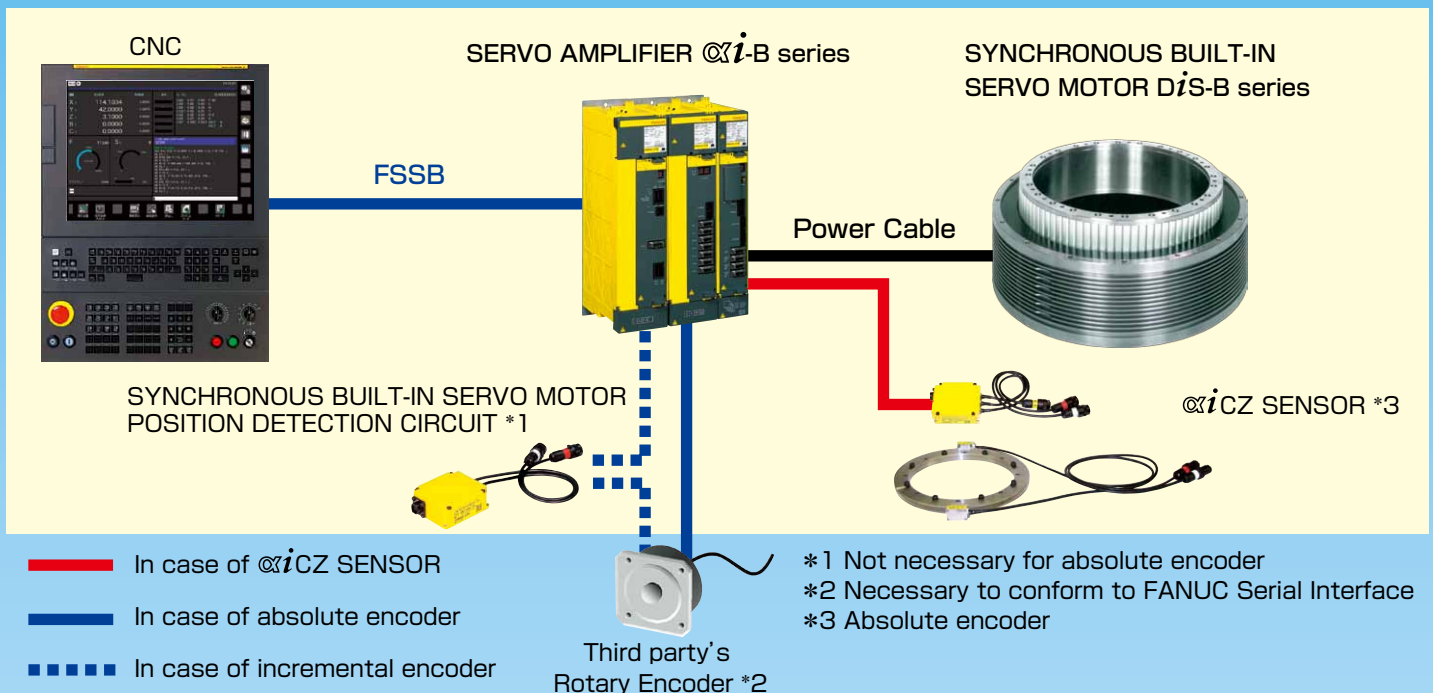
FANUC SYNCHRONOUS BUILT-IN SERVO MOTOR α iS-B series

Features

- Large torque by strong neodymium magnets
- Low torque ripple by optimum magnetic circuit design
- Standard models applicable to both 200V and 400V input
- High speed, high precision, and maintenance free by direct drive
- Suited to rotary tables of a machine tools and rotary axes of 5-axis machines
- Water cooling available as well as current oil cooling

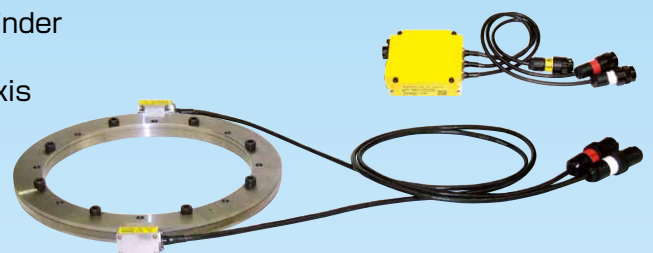
System configuration

FANUC's products



FANUC ABSOLUTE α iCZ SENSOR

High reliability by simple and strong structure
 High accuracy sensor gear manufactured by gear grinder
 with FANUC original learning control
 Compact structure contributing to compact rotary axis

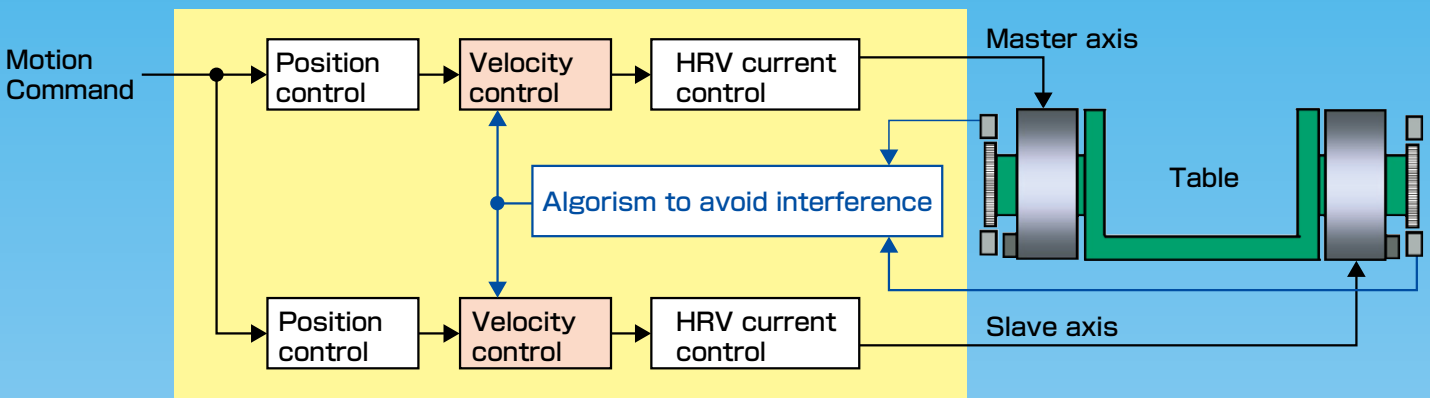


Control Technologies

SERVO HRV Control

SERVO HRV⁺ Control which is the latest digital servo technology realizes high speed and high precision machining.

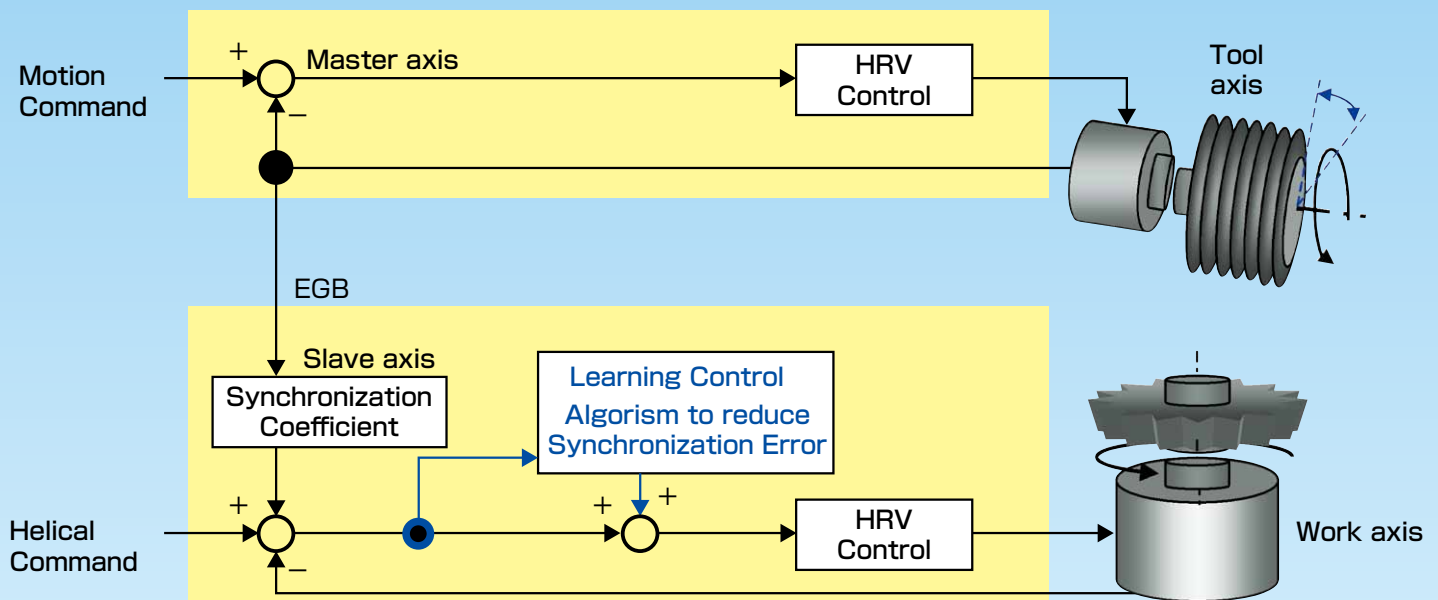
In case of driving one axis by plural motors, sometimes stability is not secured because of interference between motors. Stabilizing functions to prevent interference between axes, are prepared in order to secure stability.



Servo Learning Control

Combination of Synchronous Built-in Servo Motor and Learning Control, which achieves high precision, is best suited to cam grinding or gear cutting machine.

- Maximum 262 seconds learning time and maximum 24 learning profiles are available. (Suited to cam grinding machine)
- Combination of Learning Control and EGB (Electronic Gear Box) minimizes synchronization error. (Suited to gear cutting machine)



Maintenance and Customer Support

Worldwide Customer Service and Support

FANUC operates customer service and support network worldwide through subsidiaries and affiliates. FANUC provides the highest quality service with the prompt response at any location nearest you.



FANUC Training Center

FANUC Training Center operates versatile training courses to develop skilled engineers effectively in several days.

Inquiries : Yamanakako-mura, Yamanashi,
Japan 401-0501

Phone : 81-555-84-6030

Fax : 81-555-84-5540



FANUC CORPORATION

•Headquarters Oshino-mura, Yamanashi 401-0597, Japan
Phone: 81-555-84-5555 Fax: 81-555-84-5512 <http://www.fanuc.co.jp>

FANUC America Corporation
1800 Lakewood Boulevard,
Hoffman Estates, Illinois 60192, U.S.A
<http://www.fanucamerica.com/>

FANUC Europe Corporation, S.A.
Zone Industrielle, L-6468 Echternach,
Grand-Duché de Luxembourg
<http://www.fanuc.eu/>

BEIJING-FANUC Mechatronics CO., LTD
No.9 Xinxu Road, Shangdi Information Industry Base,
Haidian District, Beijing CHINA 100085
<http://www.bj-fanuc.com.cn/>

KOREA FANUC CORPORATION
101, Wanam-ro(st), Seongsan-gu, Changwon-si,
Gyeongsangnam-do, 642-290 Republic of Korea
<http://www.fkc.co.kr/>

TAIWAN FANUC CORPORATION
No.10, 16th Road, Taichung Industrial Park, Taichung, Taiwan
<http://www.fanuctaiwan.com.tw/>

FANUC INDIA PRIVATE LIMITED
41-A, Electronics City, Bangalore, 560 100, India
<http://www.fanucindia.com/>

• All specifications are subject to change without notice.
• No part of this catalog may be reproduced in any form.
• The products in this catalog are controlled based on Japan's " Foreign Exchange and Foreign Trade Law". The export from Japan may be subject to an export license by the government of Japan. Further, re-export to another country may be subject to the license of the government of the country from where the product is re-exported. Furthermore, the product may also be controlled by re-export regulations of the United States government. Should you wish to export or re-export these products, please contact FANUC for advice.

© FANUC CORPORATION, 2002
Sync-Built-in(E)-14, 2016.9, Printed in Japan