

FANUC Robot SR-3*i*A, SR-6*i*A

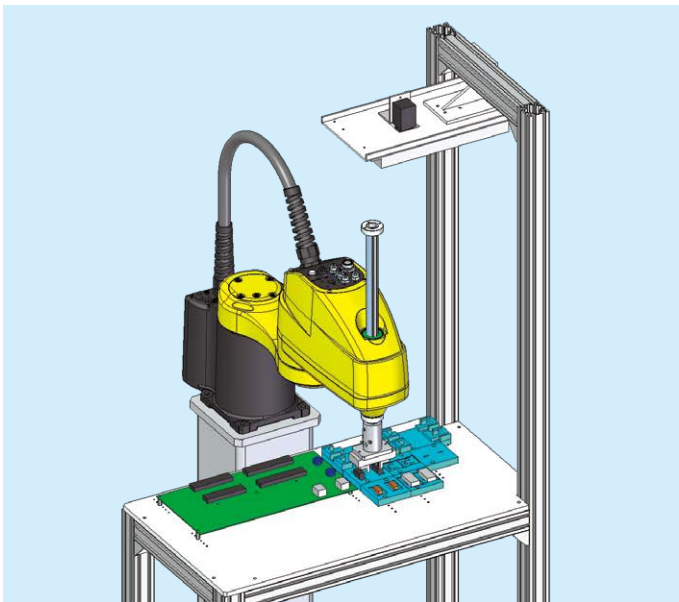
FEATURES

FANUC Robot SR-3*i*A, SR-6*i*A are compact and high performance SCARA robots.

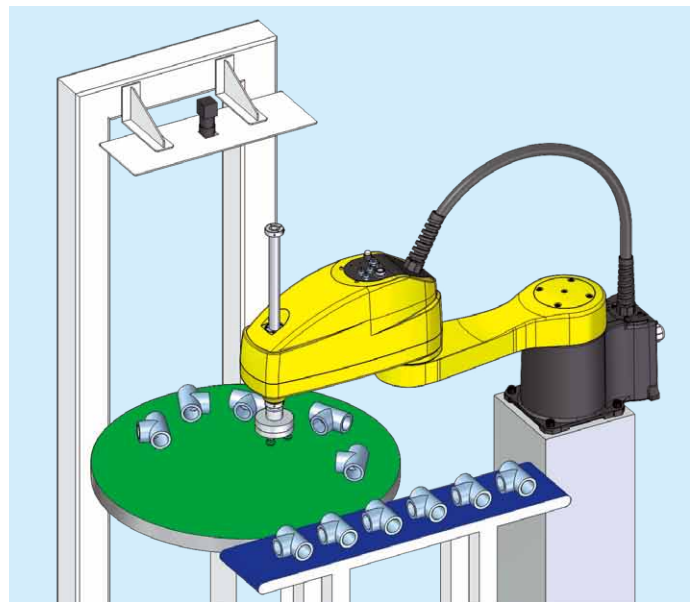
- Two models are available to meet a variety of payload and motion area.
 - SR-3*i*A Payload : 3kg Reach : 400mm
 - SR-6*i*A Payload : 6kg Reach : 650mm
- The lightweight arm and the most advanced servo technology enable high accuracy and high duty performance, which improves the productivity.
- Solenoid valve, air tube and I/O cable for the device control are integrated in the J2 arm. The hollow arm on the J4 rotation axis realizes easy wiring for a gripper.
- The R-30*i*B Compact Plus controller is greatly reduced in size while it keeps the same function as the previous controller.
- This controller is the global controller that complies with both CE and UL standards.
- Simple teaching can be conducted on the PC or Tablet PC by newly developed teaching interface, which improves ease of use.
- Latest intelligent functions are available, such as *i*RVision (integrated vision) and *i*RPickTool.
- The high reliability is realized based on the longtime accumulated reliability design technologies.



Application Examples

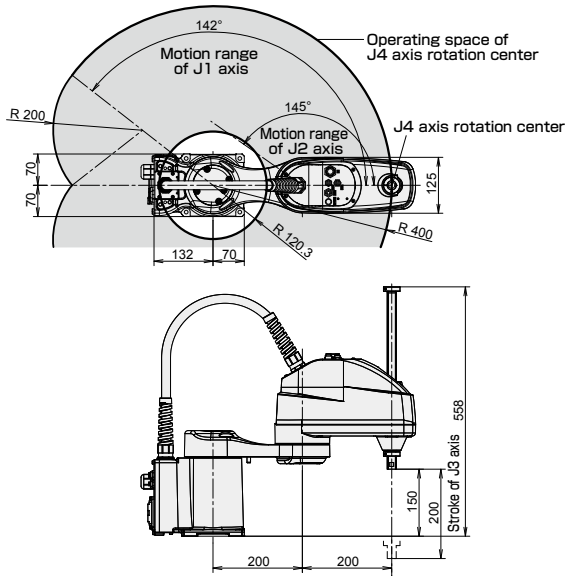


Circuit board assembly by SR-3*i*A

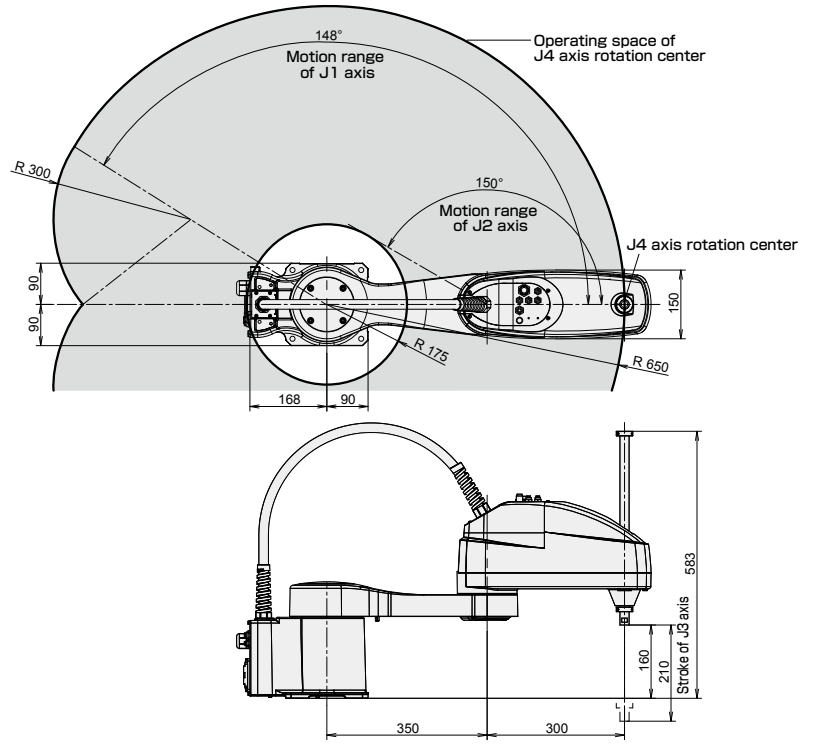


Visual circular tracking by SR-6*i*A

Operating Space SR-3iA



SR-6iA



Specifications

Model		SR-3iA	SR-6iA
Type		Scara Type	
Controlled axes		4 axes (J1, J2, J3, J4)	4 axes (J1, J2, J3, J4)
Reach		400 mm	650 mm
Installation		Floor, Wall	Floor, Wall
Motion range (Maximum speed) (Note 1)	J1 axis	±142° (720° /s) 2.48 rad (12.57 rad/s)	±148° (440° /s) 2.58 rad (7.68 rad/s)
	J2 axis	±145° (780° /s) ±2.53 rad (13.61 rad/s)	±150° (700° /s) ±2.62 rad (12.22 rad/s)
	J3 stroke	200mm (1800 mm/s)	210mm (2000 mm/s)
	J4 axis	±720° (3000° /s) 12.57 rad (52.36 rad/s)	±720° (2500° /s) 12.57 rad (43.63 rad/s)
Cycle time (Note 2)		0.33s	0.29s
Max. load capacity at wrist		3 kg	6 kg
Allowable load inertia at wrist		J4 axis 0.06 kg·m ²	0.12 kg·m ²
Repeatability	J1 + J2 axis	±0.01 mm	±0.01 mm
	J3 stroke	±0.01 mm	±0.01 mm
	J4 axis	±0.004°	±0.004°
J3 axis maximum push down force (Note 3)		150 N	200 N
Cables and air for user	Standard	RI x 4 / RO x 4, Φ6mm x 1, Φ4mm x 2	
	Option	RI x 4, Φ6mm x 1, Solenoid valve x 2	
Mass (Note 4)		19 kg	30 kg
Installation environment		Ambient temperature : 0 to 45°C Ambient humidity : Normally 75%RH or less (No dew nor frost allowed) Short term 95%RH or less (within one month) Vibration acceleration : 4.9 m/s ² (0.5G) or less	
Matching controller R-30iB Compact Plus	Rated Voltage	AC 200-240V Single phase +10% -15%, 50/60Hz ±1Hz	
	Mass of controller	9 kg	
	Dimensions(WxDxH)	440×260×85.5 mm	
	Degree of protection	Conforming to IP20	

Note 1) During short distance motions, the axis speed may not reach the maximum value stated.

Note 2) Cycle time for 25mm-300mm-25mm motion pattern with 2kg payload.

Note 3) Alarms may be occurred if push down for a long time.

Note 4) Without controller.

FANUC CORPORATION

Headquarters Oshino-mura, Yamanashi 401-0597, Japan
Phone: 81-555-84-5555 Fax: 81-555-84-5512 <https://www.fanuc.co.jp>

●Overseas Affiliated Companies
FANUC America Corporation
FANUC Europe Corporation, S.A.
SHANGHAI-FANUC Robotics CO., LTD.
KOREA FANUC CORPORATION
TAIWAN FANUC CORPORATION
FANUC INDIA PRIVATE LIMITED
FANUC SINGAPORE PTE. LTD.
FANUC THAI LIMITED
FANUC MECHATRONICS (MALAYSIA) SDN. BHD.
PT. FANUC INDONESIA
FANUC OCEANIA PTY. LIMITED
FANUC SOUTH AFRICA (PROPRIETARY) LIMITED

3900 West Hamlin Road, Rochester Hills, MI 48309-3253, U.S.A.
Zone Industrielle, L-6468 Echternach, Grand-Duché de Luxembourg
No. 1500 Fuliian Road, Baoshan Area, Shanghai, China
101, Wanam-ro(st), Seongsan-gu, Changwon-si, Gyeongsangnam-do, 642-290 Republic of Korea
No.10, 16th Road, Taichung Industrial Park, Taichung, Taiwan
41-A, Electronics City, Bangalore, 560 100, India
No.1 Teban Gardens Crescent, Singapore 608919, Singapore
1301 Pattanakarn Road, Kwaeng Suanluang, Khet Suanluang, Bangkok 10250 Thailand
No.32, Jalan Pengacara U1/48, Temasya Industrial Park, Section U1, Glenmarie,
40150 Shah Alam, Selangor Darul Ehsan, Malaysia
JL. Boulevard Bukit Gading Raya Blok R, Jakarta 14240 Indonesia
17 Healey Circuit, Huntingwood, NSW 2148, Australia
17 Loper Ave. Aeroport Industrial Ests, Spartan Ext.2 P.O.Box 219, Isando 1600, Republic of South Africa

Phone: 1-248-377-7000 Fax: 1-855-774-7051
Phone: 352-727777-1 Fax: 352-727777-403
Phone: 86-21-5032-7700 Fax: 86-21-5032-7711
Phone: 82-55-278-1200 Fax: 82-55-284-9826
Phone: 886-4-2359-0522 Fax: 886-4-2359-0771
Phone: 91-80-2852-0057 Fax: 91-80-2852-0051
Phone: 65-6567-8566 Fax: 65-6566-5937
Phone: 66-2-714-6111 Fax: 66-2-714-6120
Phone: 60-3-7628-0110 Fax: 60-3-7628-0220
Phone: 62-21-4584-7285 Fax: 62-21-4584-7288
Phone: 61-2-8822-4600 Fax: 61-2-8822-4666
Phone: 27-11-392-3610 Fax: 27-11-392-3615

- All specifications are subject to change without notice.
- No part of this catalog may be reproduced in any form.
- The products in this catalog are controlled based on Japan's "Foreign Exchange and Foreign Trade Law". The export from Japan may be subject to an export license by the government of Japan. Further, re-export to another country may be subject to the license of the government of the country from where the product is re-exported. Furthermore, the product may also be controlled by re-export regulations of the United States government. Should you wish to export or re-export these products, please contact FANUC for advice.