

# FANUC Robot **CR-4iA, 7iA, 7iA/L**



## FEATURES

FANUC Robot CR-4iA, 7iA, 7iA/L are human arm sized mini-collaborative robots.

- CR-4iA (550mm reach), CR-7iA (717mm reach), CR-7iA/L (911mm reach) are available.
- A floor space can be used effectively by up-side down and wall installation.

## Collaborative Operation

- This robot and a human operator can work separately in close proximity without safety fences.
- This robot can work in cooperation with a human operator. (examples: parts assembling, workpiece transfer)
- With Small Hand Guidance(option), intuitive operation and easy teaching are possible.

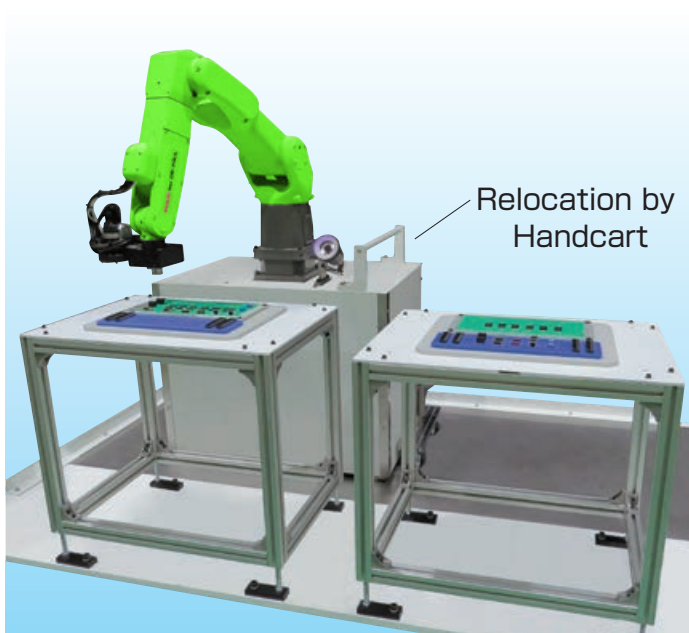
## Safety Function

- This robot stops safely when it touches a human operator.
- A human operator can move the robot by pushing it.
- This robot is certified to meet the requirements of international standard ISO 10218-1.

## Intelligence and High Reliability

- Latest intelligent functions such as *iR*Vision (Integrated vision) and force sensor are available.
- This robot is designed with high reliability, based on the proven LR Mate models.

## Application Examples



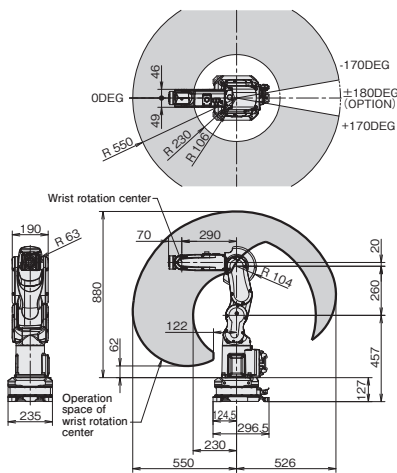
Circuit Board Assembly



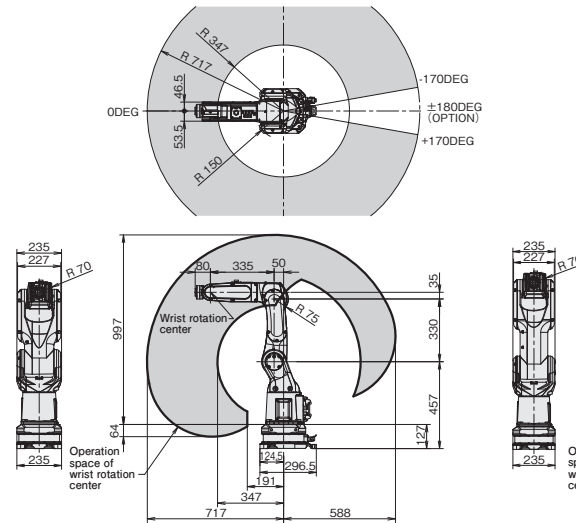
Apply Adhesive to Windshield (Up-side Down)

# Operating space

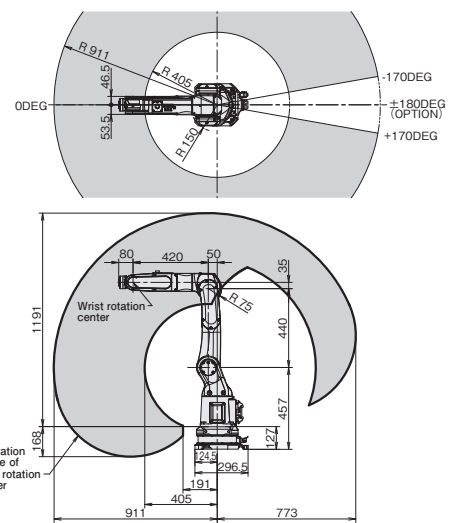
## CR-4iA



## CR-7iA



## CR-7iA/L



# Specifications

Model	CR-4iA	CR-7iA	CR-7iA/L	
Controlled axes	6 axes (J1, J2, J3, J4, J5, J6)			
Reach	550 mm	717 mm	911 mm	
Installation (Note 1)	Floor, Upside-down, Angle mount			
Motion range	J1 axis	340° 5.93 rad	340° 5.93 rad	340° 5.93 rad
	J2 axis	150° 2.61 rad	166° 2.89 rad	166° 2.89 rad
	J3 axis	354° 6.17 rad	373° 6.51 rad	383° 6.68 rad
	J4 axis	380° 6.63 rad	380° 6.63 rad	380° 6.63 rad
	J5 axis	200° 3.49 rad	240° 4.18 rad	240° 4.18 rad
	J6 axis	720° 12.57 rad	720° 12.57 rad	720° 12.57 rad
Max. load capacity at wrist (Note 2)	4 kg	7 kg	7 kg	
Maximum speed (Note 3, Note 4)	1000 mm/s			
Allowable load moment at wrist	J4 axis	8.86 N·m	16.6 N·m	16.6 N·m
	J5 axis	8.86 N·m	16.6 N·m	16.6 N·m
	J6 axis	4.90 N·m	9.4 N·m	9.4 N·m
Allowable load inertia at wrist	J4 axis	0.20 kg·m <sup>2</sup>	0.47 kg·m <sup>2</sup>	0.47 kg·m <sup>2</sup>
	J5 axis	0.20 kg·m <sup>2</sup>	0.47 kg·m <sup>2</sup>	0.47 kg·m <sup>2</sup>
	J6 axis	0.067 kg·m <sup>2</sup>	0.15 kg·m <sup>2</sup>	0.15 kg·m <sup>2</sup>
Repeatability (Note 5)	±0.01 mm			
Mass (Note 6)	48 kg	53 kg	55 kg	
Installation environment	Ambient temperature : 0 to 45°C Ambient humidity : Normally 75 %RH or less (No dew nor frost allowed) Short time (within one month) Max.95%RH Vibration acceleration : 4.9 m/s <sup>2</sup> (0.5G) or less			

Note 1) In case of the wall mount, the operation space will be restricted according with the payload.

Note 2) A total weight including the equipment and connection cables and its swing must not exceed this value when you install the equipment.

Note 3) During short distance motions, the speed may not reach the maximum value stated.

Note 4) It is necessary to set a motion speed according to risk assessment of system.

Note 5) Compliant with ISO9283.

Note 6) Without controller.

# FANUC CORPORATION

Headquarters Oshino-mura, Yamanashi 401-0597, Japan  
 Phone: 81-555-84-5555 Fax: 81-555-84-5512 <https://www.fanuc.co.jp>

- Overseas Affiliated Companies
- FANUC America Corporation
- FANUC Europe Corporation, S.A.
- SHANGHAI-FANUC Robotics CO., LTD.
- KOREA FANUC CORPORATION
- TAIWAN FANUC CORPORATION
- FANUC INDIA PRIVATE LIMITED
- FANUC SINGAPORE PTE. LTD.
- FANUC THAI LIMITED
- FANUC MECHATRONICS (MALAYSIA) SDN. BHD.
- PT. FANUC INDONESIA
- FANUC OCEANIA PTY. LIMITED
- FANUC SOUTH AFRICA (PROPRIETARY) LIMITED

- 3900 West Hamlin Road, Rochester Hills, MI 48309-3253, U.S.A.
- Zone Industrielle, L-6468 Echternach, Grand-Duché de Luxembourg
- No. 1500 Fulian Road, Baoshan Area, Shanghai, China
- 101, Wanam-ro(st), Seongsan-gu, Changwon-si, Gyeongsangnam-do, 642-290 Republic of Korea
- No.10, 16th Road, Taichung Industrial Park, Taichung, Taiwan
- 41-A, Electronics City, Bangalore, 560 100, India
- No.1 Teban Gardens Crescent, Singapore 608919, Singapore
- 1301 Pattanakorn Road, Kwaeng Suanluang, Khet Suanluang, Bangkok 10250 Thailand
- No.32, Jalan Pengacara U1/48, Temasya Industrial Park, Section U1, Glenmarie, 40150 Shah Alam, Selangor Darul Ehsan, Malaysia
- JL. Boulevard Bukit Gading Raya Blok R, Jakarta 14240 Indonesia
- 10 Healey Circuit, Huntingwood, NSW 2148, Australia
- 17 Loper Ave, Aeroport Industrial Ests. Spartan Ext.2 P.O.Box 219, Isando 1600, Republic of South Africa

- Phone: 1-248-377-7000 Fax: 1-855-774-7051
- Phone: 352-727777-1 Fax: 352-727777-403
- Phone: 86-21-5032-7700 Fax: 86-21-5032-7711
- Phone: 82-55-278-1200 Fax: 82-55-284-9826
- Phone: 886-4-2359-0522 Fax: 886-4-2359-0771
- Phone: 91-80-2852-0057 Fax: 91-80-2852-0051
- Phone: 65-6567-8566 Fax: 65-6566-5937
- Phone: 66-2-714-6111 Fax: 66-2-714-6120
- Phone: 60-3-7628-0110 Fax: 60-3-7628-0220
- Phone: 62-21-4584-7285 Fax: 62-21-4584-7288
- Phone: 61-2-8822-4600 Fax: 61-2-8822-4666
- Phone: 27-11-392-3610 Fax: 27-11-392-3615

- All specifications are subject to change without notice.
- No part of this catalog may be reproduced in any form.
- The products in this catalog are controlled based on Japan's "Foreign Exchange and Foreign Trade Law". The export from Japan may be subject to an export license by the government of Japan. Further, re-export to another country may be subject to the license of the government of the country from where the product is re-exported. Furthermore, the product may also be controlled by re-export regulations of the United States government. Should you wish to export or re-export these products, please contact FANUC for advice.