

FANUC Robot SR-3*i*A, 6*i*A, 12*i*A

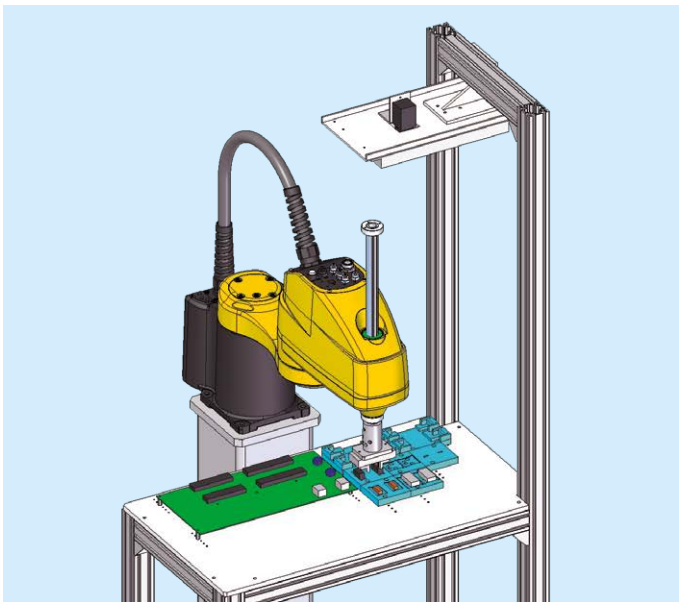


FEATURES

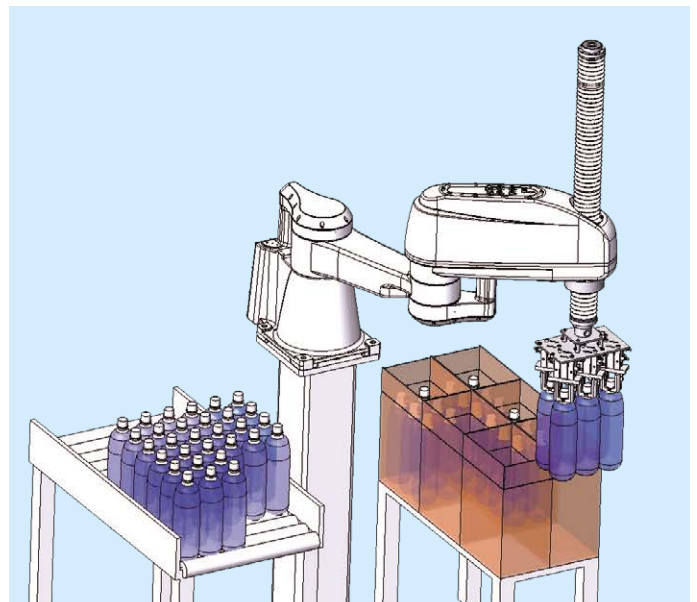
FANUC Robot SR-3*i*A, 6*i*A, 12*i*A is SCARA robot whose payload is 3 to 12kg.

- Three models are available to meet a variety of payload and motion area.
 - SR-3*i*A Payload : 3kg Reach : 400mm
 - SR-6*i*A Payload : 6kg Reach : 650mm
 - SR-12*i*A Payload : 12kg Reach : 900mm
- The lightweight arm and the most advanced servo technology enable high accuracy and high duty performance, which improves the productivity.
- Environmental options, such as white paint, bellows cover, and water proof (IP65) are available for SR-12*i*A.
- Solenoid valve, air tube and I/O cable for the device control are integrated in the J2 arm. The hollow arm on the J4 rotation axis realizes easy wiring for a gripper.
- The R-30*i*B Compact Plus controller is greatly reduced in size while it keeps the same function as the previous controller.
- Simple teaching can be conducted on the PC or Tablet PC by newly developed teaching interface, which improves ease of use.
- Latest intelligent functions are available, such as *i*RVision (integrated vision) and *i*RPickTool.
- The high reliability is realized based on the longtime accumulated reliability design technologies.

Application Examples



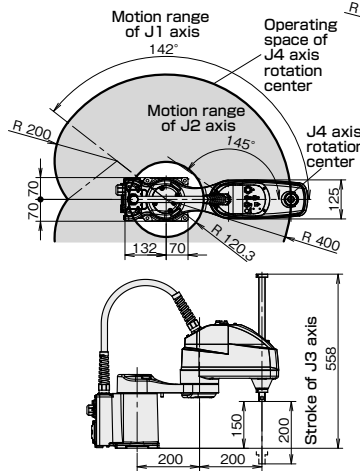
Circuit board assembly by SR-3*i*A



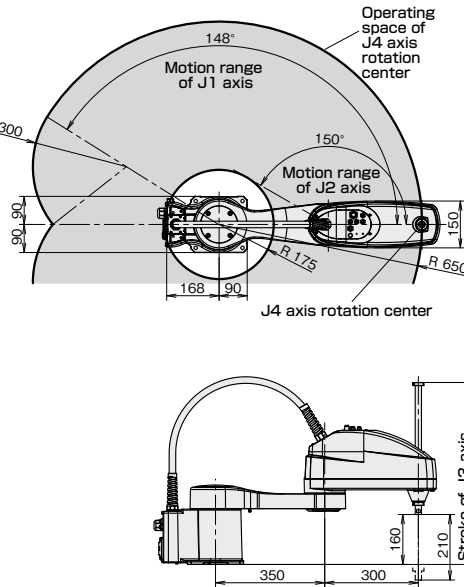
Bottle packing by SR-12*i*A

Operating Space

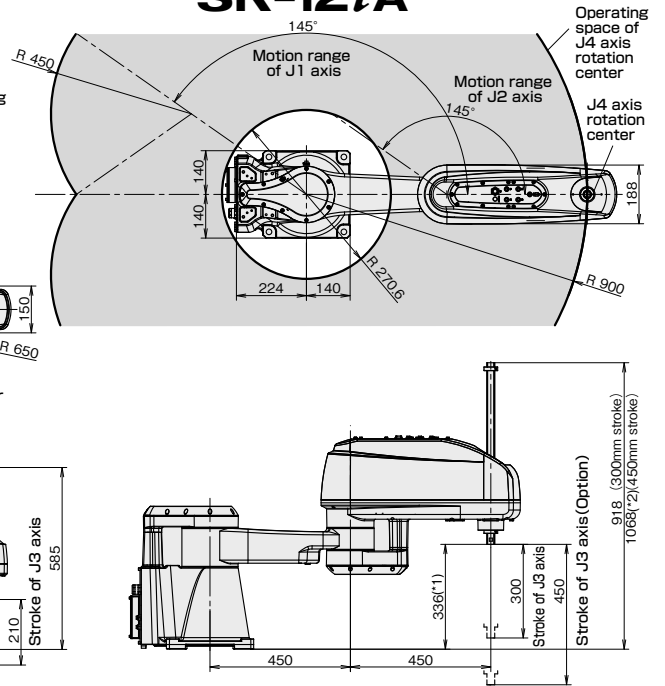
SR-3iA



SR-6iA



SR-12iA



(*1) 198 for bellows option
(*2) 1176 for bellows option

Specifications

Model		SR-3iA	SR-3iA/H	SR-6iA	SR-6iA/H	SR-12iA
Type		Scara Type				
Controlled axes		4 axes (J1, J2, J3, J4)	3 axes (J1, J2, J3)	4 axes (J1, J2, J3, J4)	3 axes (J1, J2, J3)	4 axes (J1, J2, J3, J4)
Reach		400 mm		650 mm		900 mm
Installation		Floor, Wall				Floor, Wall, Ceiling
Motion range (Maximum speed) (Note 1)	J1 axis	$\pm 142^\circ$ (720°/s) 2.48 rad (12.57 rad/s)		$\pm 148^\circ$ (440°/s) 2.58 rad (7.68 rad/s)		$\pm 145^\circ$ (440°/s) 2.53 rad (7.68 rad/s)
	J2 axis	$\pm 145^\circ$ (780°/s) ± 2.53 rad (13.61 rad/s)		$\pm 150^\circ$ (700°/s) ± 2.62 rad (12.22 rad/s)		$\pm 145^\circ$ (510°/s) ± 2.53 rad (8.90 rad/s)
	J3 stroke	200mm (1800 mm/s)		210mm (2000 mm/s)		300mm (2800 mm/s) 450mm (Option) (2800 mm/s)
	J4 axis	$\pm 720^\circ$ (3000°/s) 12.57 rad (52.36 rad/s)		$\pm 720^\circ$ (2500°/s) 12.57 rad (43.63 rad/s)		$\pm 720^\circ$ (2500°/s) 12.57 rad (43.63 rad/s)
Max. load capacity at wrist		3 kg		6 kg		12 kg
Allowable load inertia at wrist		0.06 kg·m ²		0.12 kg·m ²		0.30 kg·m ²
Repeatability	J1 + J2 axis	± 0.01 mm				± 0.015 mm
	J3 stroke	± 0.01 mm				
	J4 axis	$\pm 0.004^\circ$		$\pm 0.04^\circ$		$\pm 0.005^\circ$
J3 axis maximum push down force (Note 2)		150 N		200 N		250 N
Cables and air for user		Standard Option				Rl×4 / RO×4, $\Phi 6$ mm×1, $\Phi 4$ mm×2 Rl×4 / RO×4, $\Phi 6$ mm×3
Mass (Note 3)		19 kg	17 kg	30 kg	28 kg	53 kg
Installation environment		Ambient temperature : 0 to 45°C Ambient humidity : Normally 75%RH or less (No dew nor frost allowed) Short term 95%RH or less (within one month) Vibration acceleration : 4.9m/s ² (0.5G) or less				
Matching controller R-30iB Compact Plus	Rated Voltage	AC 200-240V Single phase +10% - 15%, 50/60Hz ± 1 Hz				
	Mass of controller	9 kg				
	Dimensions (WxDxH)	440 × 260 × 85.5 mm				
	Degree of protection	Conforming to IP20				

Note 1) During short distance motions, the axis speed may not reach the maximum value stated.

Note 2) Alarms may be occurred if push down for a long time.

Note 3) Without controller.

FANUC CORPORATION

Headquarters Oshino-mura, Yamanashi 401-0597, Japan
Phone: 81-555-84-5555 Fax: 81-555-84-5512 <https://www.fanuc.co.jp>

- Overseas Affiliated Companies
- FANUC America Corporation
- FANUC Europe Corporation, S.A.
- SHANGHAI-FANUC Robotics CO., LTD.
- KOREA FANUC CORPORATION
- TAIWAN FANUC CORPORATION
- FANUC INDIA PRIVATE LIMITED
- FANUC SINGAPORE PTE. LTD.
- FANUC THAI LIMITED
- FANUC MECHATRONICS (MALAYSIA) SDN. BHD.
- PT. FANUC INDONESIA
- FANUC OCEANIA PTY. LIMITED
- FANUC SOUTH AFRICA (PROPRIETARY) LIMITED

- 3900 West Hamlin Road, Rochester Hills, MI 48309-3253, U.S.A.
- 7, rue Benedikt Zender, L-6468 Echternach, Grand-Duché de Luxembourg
- No. 1500 Fuliang Road, Baoshan Area, Shanghai, China
- 101, Wanam-ro(st), Seongsan-gu, Changwon-si, Gyeongsangnam-do, 642-290 Republic of Korea
- No.10, 16th Road, Taichung Industrial Park, Taichung, Taiwan
- 41-A, Electronics City, Bangalore, 560 100, India
- No.1 Teban Gardens Crescent, Singapore 608919, Singapore
- 1301 Pattanakorn Road, Kwaeng Suanluang, Khet Suanluang, Bangkok 10250 Thailand
- No.32, Jalan Pengacara U1/48, Temasya Industrial Park, Section U1, Glenmarie, 40150 Shah Alam, Selangor Darul Ehsan, Malaysia
- JL. Boulevard Bukit Gading Raya Blok R, Jakarta 14240 Indonesia
- 10 Healey Circuit, Huntingwood, NSW 2148, Australia
- 17 Loper Ave. Aeroport Industrial Ests, Spartan Ext.2 P.O.Box 219, Isando 1600, Republic of South Africa

- Phone: 1-248-377-7000 Fax: 1-855-774-7051
- Phone: 352-727777-1 Fax: 352-727777-403
- Phone: 86-21-5032-7700 Fax: 86-21-5032-7711
- Phone: 82-55-278-1200 Fax: 82-55-284-9826
- Phone: 886-4-2359-0522 Fax: 886-4-2359-0771
- Phone: 91-80-2852-0057 Fax: 91-80-2852-0051
- Phone: 65-6567-8566 Fax: 65-6566-5937
- Phone: 66-2-714-6111 Fax: 66-2-714-6120
- Phone: 60-3-7628-0110 Fax: 60-3-7628-0220
- Phone: 62-21-4584-7285 Fax: 62-21-4584-7288
- Phone: 61-2-8822-4600 Fax: 61-2-8822-4666
- Phone: 27-11-392-3610 Fax: 27-11-392-3615

- All specifications are subject to change without notice.
- No part of this catalog may be reproduced in any form.
- The products in this catalog are controlled based on Japan's "Foreign Exchange and Foreign Trade Law". The export from Japan may be subject to an export license by the government of Japan. Further, re-export to another country may be subject to the license of the government of the country from where the product is re-exported. Furthermore, the product may also be controlled by re-export regulations of the United States government. Should you wish to export or re-export these products, please contact FANUC for advice.